

Housing Devices, Inc.

ADA 100[®] Area of Rescue/ Refuge System

STANDARD FEATURES:

- Vandal Proof 16 gauge Stainless Steel Construction
- Area Station Supervision Circuits
- Large 3" "PUSH FOR HELP" Button
- Dual Audio & Visual Alarms for the Hearing and Visual Impaired
- Custom Engraved Area Station Location Labels
- Keyed Master Station Reset Switch
- Modular Design provides for any number of Area Stations
- No Telephone Lines Needed

OPTIONAL FEATURES:

- Recorded Voice Dialer or Pager Option
- UL Listed Battery Backup System
- Engraved Replaceable Directory
- Master Station Desktop Base
- 110 Candela Area Station Flashing Strobe Light
- Braille Instructional Signs
- Master and Area Stations available in Polished Solid Brass and Brushed Solid Brass Housings
- Weather Hood (Stainless Steel or Solid Brass)
- Illuminated Area of Rescue Assistance Signs (with Independent Battery Backup)
- Custom Sizes Available
- Multiple Master Stations

DESCRIPTION:

The ADA 100 is a modular, hands-free Area of Rescue/ Refuge System with dual audio and visual alarms and built-in supervision capabilities designed to comply with the Americans with Disabilities Act. It is fully expandable and may be used as an independent system (with its own battery backup system) or in conjunction with other battery back-up systems.



HDI-ADA-100A

HDI-ADAMS5

SYSTEM OPERATION:

Depressing the "PUSH FOR HELP" button on an Area Station places the system in "HELP REQUESTED" mode, illuminates the "HELP REQUESTED" LED at the Area Station, a red LED at the Master Station (corresponding to that specific Area Station), and sounds the 90 dbA piezoelectric alarms at both the Area and Master Stations. The security attendant presses the "TALK" button on the Master Station to acknowledge both the audio alarm and the illuminated red LED at the Master Station, which silences the audio alarms at both the Master and Area Station(s) and illuminates the "HELP COMING" LED light at the Area Station. This also enables two-way communication between the Master Station and the Area Station permitting the security attendant to converse with the individual requesting assistance. Turning the reset switch at the Master Station extinguishes the "HELP COMING" LED indicator at each Area Station, the red LEDs at the Master Station, and resets the system. The Master Station attendant using the "TALK" and "LISTEN" buttons labeled for each Area Station's location controls all conversations.

ADA 100® AREA OF RESCUE/ REFUGE SYSTEMS

COMPONENT DESCRIPTIONS

MASTER STATION (HDI-ADA-MS-#)

The Master Station is the head end of the system from which all calls are controlled. It should be mounted in an appropriate and secure area typically adjacent to other security equipment.

The ADA-100 system can utilize multiple Master Stations to accommodate larger systems of any size. The Master Station also contains the system "Reset" key switch & power LED. One HDI-ADA-CB is included with a Master Station and mounted in the Relay Card Cabinet.

The ADA-100 Master Station accommodates up to *60 zones. Master Stations are available in the following sizes:

Part#	Description	Size
		W x H x D
HDI-ADAMS-05	1-5 Zones	11" x 11" x Flush
HDI-ADAMS-10	6-10 Zones	16.75" x 11" x Flush
HDI-ADAMS-15	11-15 Zones	10.25" x 23.75" x .5
HDI-ADAMS-20	16-20 Zones	19.625" x 16.75" x FL
HDI-ADAMS-25	21-25 Zones	24.5" x 17" x Flush
HDI-ADAMS-30	26-30 Zones	24.5" x 17" x Flush

* Larger Size Requires Multiple Masters

AREA STATION (HDI-ADA-100A)

Area Stations are stainless steel vandal proof 2 way intercoms with piezoelectric alarms, red LED indicators, and a large 3" panic button labeled "PUSH FOR HELP". Area Stations should be mounted in areas where they are visible and easily accessible by anyone needing help. Area Stations include one HDI-ADA-ARC mounted in the HDI-ADARCC-10 or HDI-ADARCC-20.

Part #	Description	Size
HDI-ADA-100A	Area Station	9" x 9" x Flush

RELAY CARD CABINET (HDI-ADARCC)

The Relay Card Cabinet is a UL listed hinged cover cut out box that provides mounting for the HDI-ADA-ARC & HDI-ADA-CB. The HDI-ADA-ARC provides the electronics support for one HDI-ADA-100A. The HDI-ADA-CB provides power connections for the complete system. Larger systems will use multiple cabinets and additional HDI-ADA-ARC.

Part #	Description	Size
HDI-ADARCC-10	Mounting for 1-6 HDI ADA-ARC & 1 HDI ADA-CB	12"x12" x 4"
HDI-ADARCC-20	Mounting for 1-30 HDI ADA-ARC & 1 HDI ADA-CB	18"x18"x4"

RELAY CARD (HDI-ADA-ARC)

The Relay Card is the electronic support for each HDI-ADA-100A Station. One card is required for each HDI-ADA-100A Station used in the system. The Relay Card is supplied with a pluggable terminal block for easy installation.

CONTROL BOARD (HDI-ADA-CB)

The Control Board, also located in the Relay Card Cabinet, provides electronic support for both the Master Station and all Area Stations. One is required for all ADA-100 systems & is included with the Master Station.

BATTERY BACKUP SYSTEM (HDI-ADA-BBU)

The Battery Backup System provides continuous power to the ADA 100 system in the event of a power failure. The HDI-ADA-35 located in the Battery Back-up provides the audio for the system. The HDI-ADA-BBU features auto-resetting overload protection, visual AC and DC power indicators and built-in battery charger circuitry.

The system monitors for AC power failure, AC and DC surge suppression, and no/low battery indications. The system includes two (2) 12VDC sealed lead acid batteries (rated @ 4.5 amp hours each), a 1.0 amp battery charger capable of charging two internally mounted batteries in 12 hours, a 24VAC 30VA transformer, and has a continuous output of 800mA. Standby capability of 8 hours
Full alarm capability 2 hours

Part #	Description	Size
HDI-ADA-BBU	Power supply	12" x 12" x 4"

AMPLIFIER (HDI-ADA-35)

Installed in the HDI-ADA-BBU, The HDI-ADA-35 is a 24 Vdc input amplifier with up to 5 watts of power that processes the audio for the entire system.

TRANSFORMER (HDI-ADA-PS)

Included in the HDI-ADA-BBU, The HDI-ADA-PS is an 8, 16, 24 Vac step down transformer from 120 volts with 20va - 30va output.

ADA 100® AREA OF RESCUE/ REFUGE SYSTEMS

MOUNTING SYSTEMS & DIMENSIONS

The ADA-100 Area of Rescue\ Refuge system uses 2 forms of mounting systems:

HDI-ADA-BB is used for flush mounting the master or area station (the HDI-ADA-BB is mounted in the wall) 16 gauge galvanized metal, .1/2 inch conduit knockouts Screw holes for easy mounting and 4 #10/24 cage nuts

Part #	Description	Size
		L" x W" x D"
HDI-ADA-BB	HDI-ADA-100A & HDI-ADAMS-5	8 x 8 x 4
HDI-ADA-BB-10	HDI-ADAMS-10	7.625 x 13.625 x 3.5
HDI-ADA-BB-15	HDI-ADAMS-15	7.625 x 18.250 x 3.5
HDI-ADA-BB-20	HDI-ADAMS-20	13.125 x 16.0 x 3.5

*Additional sizes available for larger Master Stations
Please Call 800-392-5200

HDI-ADASC is used for surface mounting the master or area station (the HDI-ADASC is mounted on top of the wall)

18-gauge 304 #4 stainless steel, 1/2 inch conduit knockouts on the top, one piece design, screw holes for easy mounting and 4 #10/24 cage nuts

Part #	Description	Size
		L" x W" x D"
HDI-ADASCMA	HDI-ADA-100A	9.25 x 9.25 x 2.25
HDI-ADASC5	HDI-ADAMS-5	11.25 x 11.25 x 2.25
HDI-ADASC10	HDI-ADAMS-10	11.25 x 17.25 x 2.25
HDI-ADA-SCM15	HDI-ADAMS-15	11.25 x 25.25 x 2.25
HDI-ADA-SCM20	HDI-ADAMS-20	17.25 x 19.875 x 2.25

*Additional sizes available for larger Master Stations
Please Call 800-392-5200

OPTIONAL EQUIPMENT

BRILLE SIGN (HDI-ADA-BS)

The Braille instructional sign, captioned in both English and raster Braille, Helvetica 67 condensed type red tactile, .1875 mounting holes and eased edges is placed next to each HDI-ADA-100A in the system and reads:

"FOR ASSISTANCE PUSH 3 INCH HELP BUTTON"
Size 5.00"L x 7.25" W x .250"D

PHOTOLUMINESCENT SIGNS

HDI-ARA-V Series Sign

The HDI-ARA-V sign is a photoluminescent rigid vinyl sign with either Area of Rescue (HDI-ARA-V1) or Area of Refuge (HDI-ARA-V2) screened printed on the face.

Size 8.00"L x 8.00"W x .250"D

HDI-ARA-DB Series Sign

The HDI-ARA-DB sign is a photoluminescent acrylic sign with either Area of Rescue (HDI-ARA-DB-1) or Area of Refuge (HDI-ARA-DB-2) with Helvetica 67 condensed type black raised tactile material & clear raster Braille.

Size 8.00"L x 8.00"W x .250"D

ILLUMINATED AREA STATION SIGN

HDI-ADA-IS

The HDI-ADA-IS has long life high efficient LED lamps, double face Illuminated sign reading: AREA OF RESCUE ASSISTANCE with a NFPA 170 universal blue wheel chair symbol, 20 gauge steel frame, universal input 120 and 277 volt AC & Low profile canopy, flag & wall mount hardware. Left & right chevron knockouts. Meets or exceeds UL, NEC, OSHA, NFPA life Safety Code requirements

Size 7.625"L x 12.25"W x 2.25"D

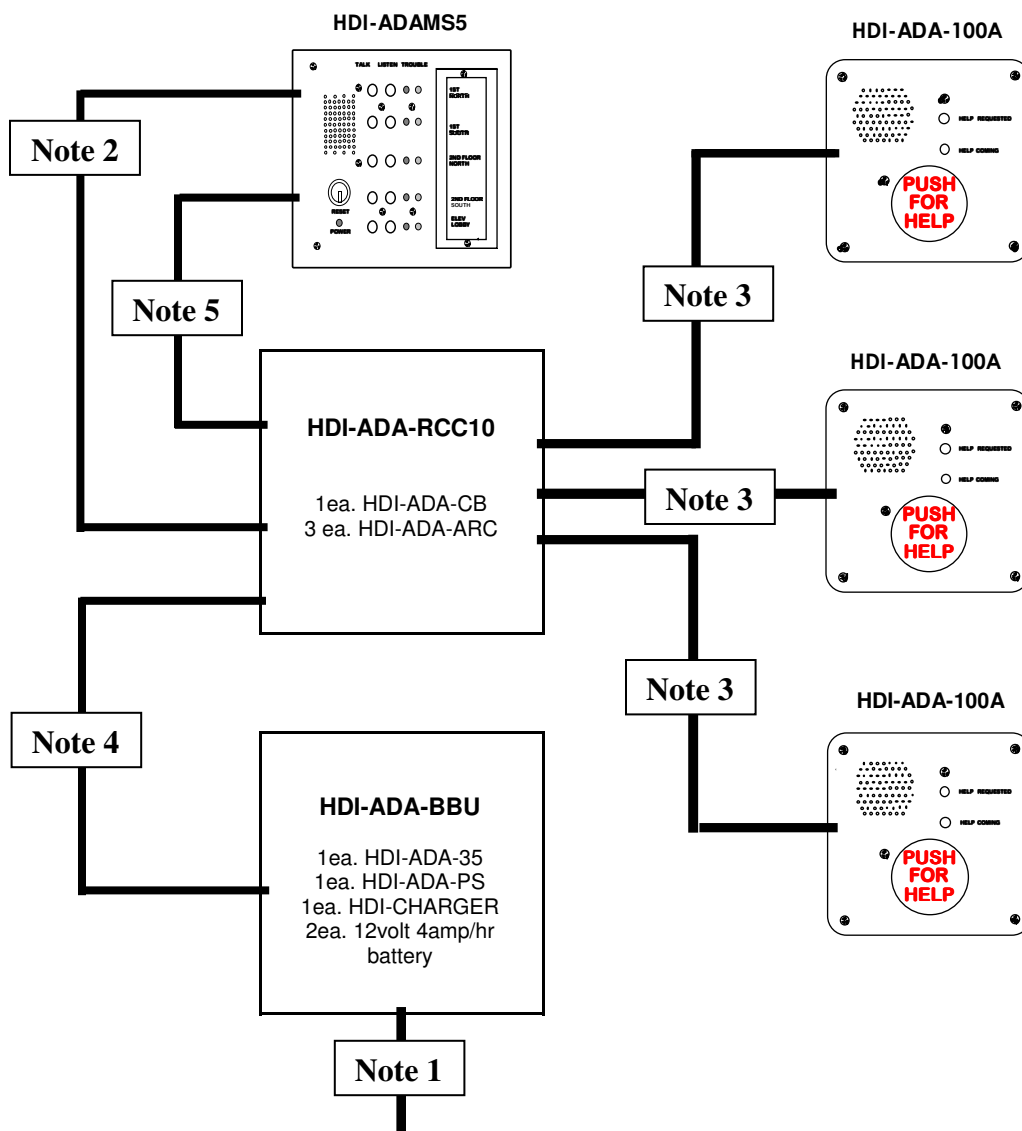
HDI-ADA-IS-UL

The HDI-ADA-IS-UL has a battery and charging circuit built in with TEST button, full charge green LED lamp with 90 minutes of operation when the power is out. Long life high efficient LED lamps, double face Illuminated sign reading: AREA OF RESCUE ASSISTANCE with a NFPA 170 universal blue wheel chair symbol, 20 gauge steel frame, universal input 120 and 277 volt AC & Low profile canopy, flag & wall mount hardware. Left & right chevron knockouts. Meets or exceeds UL, NEC, OSHA, NFPA life Safety Code requirements.

Size 8.250"L x 12.25"W x 2.25"D

ADA 100[®] AREA OF RESCUE/ REFUGE SYSTEMS

TYPICAL ADA[®] 100 Three Zone System



WIRE & CABLE LEGEND

- Note 1** Three (3) #14 AWG wires for 120VAC power from a dedicated emergency power branch circuit.
- Note 2** One (1) #18 AWG 4 twisted pair (8 conductors) overall shielded cable such as Belden 9554, CSC 19595MH, West Penn 3753 Plenum, CSC 1121165MH, West Penn 3753, Belden 9554 or equal.
- Note 3** One (1) #18 AWG 4 twisted pair (8 conductor) overall shielded cable such as Belden 9554, CSC 19595MH, West Penn 3753 Plenum, CSC 1121165MH, West Penn 3753, Belden 9554 or equal, from each HDI-ADA-100A to the HDI-ADA-RCC10.
- Note 4** One (1) #18 AWG 4 twisted pair (8 conductor) overall shielded cable such as Belden 9554, CSC 19595MH, West Penn 3753 Plenum, CSC 1121165MH, West Penn 3753, Belden 9554 or equal, from the HDI-ADA-BBU to the HDI-ADA-RCC10.
- Note 5** Three (3) #18 AWG conductors (shield not required) from the HDI-ADA-RCC10 to the HDI-ADAMS5 for each HDI-ADA-100A in the system. (For the T 3 9 connection at the HDI-ADAMS5)